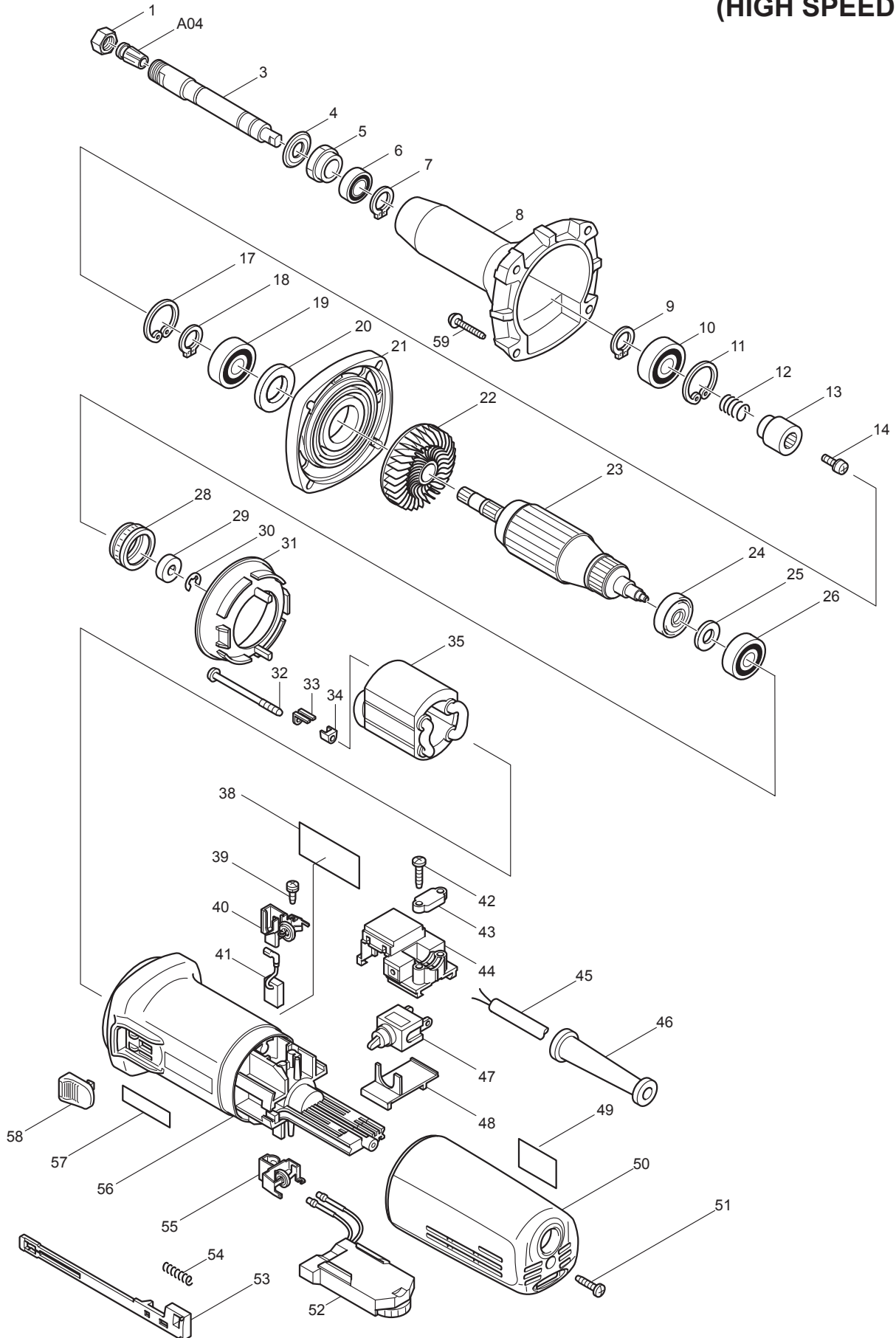




07 - 2010
GD0800C
1/4" DIE GRINDER
(HIGH SPEED)



Item #	Type	Part No	Description	Qty	Unit
001		763645-2	COLLET NUT	1	PC.
003		324042-3	SPINDLE	1	PC.
004		213209-7	OIL SEAL 16	1	PC.
005		285700-5	BEARING RETAINER	1	PC.
006		211141-9	BALL BEARING 6901LLB	1	PC.
007		961052-5	RETAINING RING S-12	1	PC.
008		317368-0	BARREL	1	PC.
009		961052-5	RETAINING RING S-12	1	PC.
010	2	211148-5	BALL BEARING 6001ZZ	1	PC.
011		962106-1	RETAINING RING R-28	1	PC.
012		233901-9	LOCK SPRING 12	1	PC.
013		323989-8	COUPLING	1	PC.
014		265082-1	PAN HEAD SCREW M4X8	1	PC.
017		962106-1	RETAINING RING R-28	1	PC.
018		961052-5	RETAINING RING S-12	1	PC.
019	2	211148-5	BALL BEARING 6001ZZ	1	PC.
020		253084-9	FLAT WASHER 12	1	PC.
021		317367-2	BEARING BOX	1	PC.
022		240036-9	FAN 57	1	PC.
023	3	518149-7	* ARMATURE ASS'Y 115V	1	PC.
		INC.	* Item No. 22,24-26		
024		681656-4	INSULATION WASHER	1	PC.
025		253823-7	FLAT WASHER 7	1	PC.
026		210023-2	BALL BEARING 627DDW	1	PC.
028		421770-2	LABYRINTH RUBBER RING 22	1	PC.
029		688117-5	MAGNET SLEEVE	1	PC.
030	2	259039-2	* SELF LOCK 6	1	PC.
031		413076-2	BAFFLE PLATE	1	PC.
032		266259-1	TAPPING SCREW 4X60	2	PC.
033		344871-8	RETAINER	2	PC.
034		417237-6	* INSULATION COVER (removed)	2	PC.
035	1	626521-0	* FIELD 115V	1	PC.
	2	626522-8	* FIELD 115V	1	PC.
	3	621B26-7	* FIELD 115V	1	PC.
038		852410-5	NAME PLATE F/GD0800C	1	PC.
039		266256-7	TAPPING SCREW PT3X10	4	PC.
040		643760-7	BRUSH HOLDER (OLD# 643762-3 - N/L/A)	1	PC.
041	2	194999-0	A.C. CARBON BRUSH CB-318 2PC/SET (W/ ORIGIN)	1	SET
	4	196454-8	A.C. CARBON BRUSH CB-340 2PC/SET (W/ ORIGIN)	1	SET
042		265995-6	TAPPING SCREW 4X18	2	PC.
043		687063-9	CORD CLAMP (STRAIN RELIEF)	1	PC.
044		632999-7	SWITCH BLOCK	1	PC.
045		664064-4	CORD W/PLUG 2P-18-2.5M, SJ	1	PC.
046	2	682559-5	CORD GUARD	1	PC.
047		651418-4	SWITCH ST115A-40	1	PC.
048		687113-0	COVER	1	PC.
049	2	810E29-6	* OPERATION INDICATION LABEL		
050	2	144093-8	* REAR COVER COMPLETE	1	PC.
		INC.	* CAUTION LABEL	1	PC.
051		265995-6	TAPPING SCREW 4X18	1	PC.
052		631390-6	CONTROLLER	1	PC.

Item #	Type	Part No	Description	Qty	Unit
053		417187-5	SWITCH LEVER	1	PC.
054		233071-4	COMPRESSION SPRING 4	1	PC.
055		643760-7	BRUSH HOLDER (OLD# 643762-3 - N/L/A)	1	PC.
056	3	417812-8	* MOTOR HOUSING	1	PC.
058	2	417813-6	* SWITCH KNOB	1	PC.
059		265999-8	TAPPING SCREW 4X25	4	PC.
060		800092-7	INDICATION LABEL	1	PC.
100		654037-5	INSULATED EYE TERMINAL FT1.25-M3	2	PC.
101		652037-9	P.H. SCREW M3.5X8	2	PC.
C01		843797-6	CARTON F/GD0800C	1	PC.

ACCESSORIES

- See catalogue or visit www.makita.ca for more optional accessories -

A01		781203-2	WRENCH 13	1	PC.
A02		781206-6	WRENCH 19	1	PC.
A03		192985-5	SIDE HANDLE SET	1	PC.
	2	INC. 153503-4	GRIP 36 COMPLETE	1	PC.
		INC. 415485-1	GRIP BASE	1	PC.
		INC. 921919-9	HEX. BOLT M8X110	1	PC.
A04		192986-3	COLLET CONE 1/4"	1	PC.
		192987-1	COLLET CONE 1/8" SET (Optional)	1	PC.
		INC.	Item No. 1		
		193012-1	COLLET CONE 6MM SET (Optional)	1	PC.
		INC.	Item No. 1		
		INC. 763650-9	COLLET CONE 1/4" - N/A as individually	1	PC.
		INC.	Item No. 1		
A05		193141-0	WISE HOLDER SET (Optional)	1	PC.
A06		-----	ABRASIVE FLAP WHEELS		
A07		-----	CARBIDE BURRS		

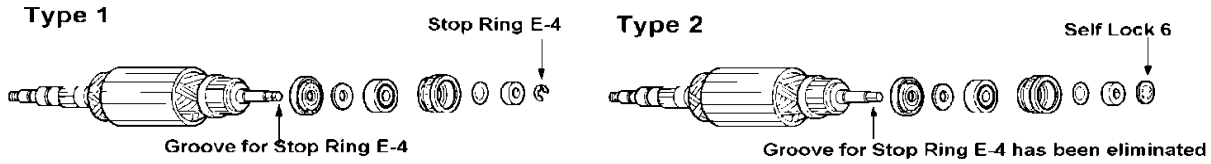
SERVICE CHANGES

1. Changes on Armature Assy

(TI#B2975)

Item No.	Description	Type 1	Type 2	Type 3
23	Armature Assy 115V	515191-9 (N/L/A)	515216-9	518149-7
30	Stop Ring/ Self Lock	961011-9	259039-2	
35	Field 115V	626521-0		626522-8
49	Label	816801-4		810E29-6

Above parts are completely interchangeable as a set.



2. Changes on Motor Housing, Switch Knob and Rear Cover

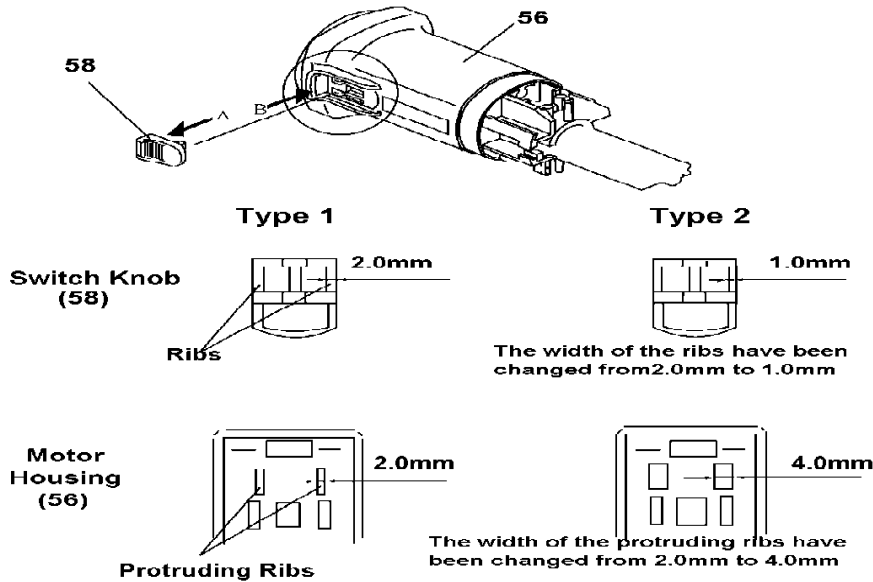
(TI#B2975)

Item No.	Description	Type 1	Type 2	Type 3	Type 4
56	Motor Housing	152865-7 (Complete w/ label) (OLD#417184-1)	153296-3 (N/L/A) (Complete w/ label)	417812-8 (without label)	
58	Switch Knob	417188-3 (N/L/A)		417813-6	
50	Rear Cover	417185-9 (N/L/A)		158189-9 (w/ label)	144093-8 (w/ label)

Above parts are completely interchangeable as a set.

Motor Housing & Switch Knob

Type 1 → Type 2


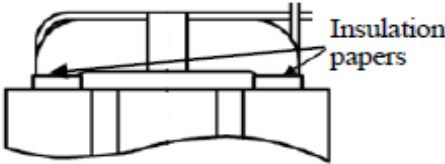
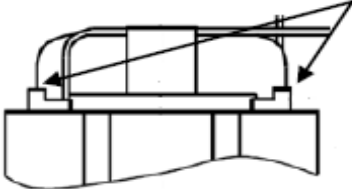


3. Changes on Field and elimination of Insulation cover

(T/#DH253)

Item No.	Description	Type 1	Type 2
34	INSULATION COVER	417237-6	-----
35	FIELD 115V	626522-8	621B26-7

Above parts are completely interchangeable as a set.

	Current	New
[1]	Insulation covers (2 pcs) 	Eliminated
[2]-[45]	 Insulation papers	 Insulation papers will be extended.